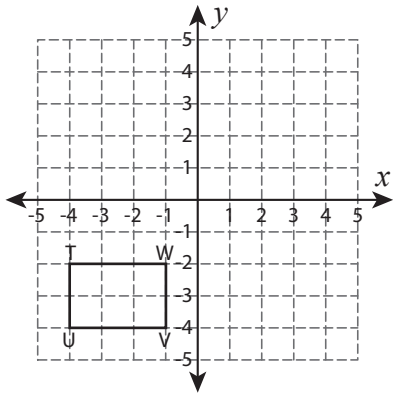


Write the New Coordinates

Graph the image of each figure after the given translation. Also write the coordinates of the image.

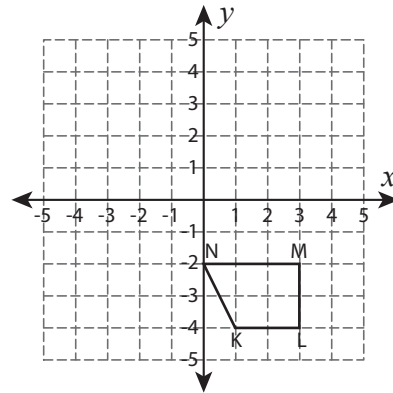
1) 5 units up and 2 units right



T': _____, U': _____

V': _____, W': _____

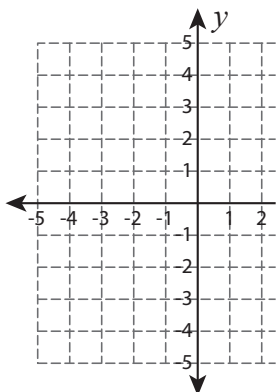
2) 4 units left and 4 units up



N': _____

L': _____

3) 7 units down and 1 unit right



A': _____, B': _____

C': _____

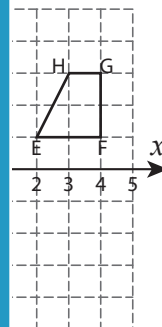
PREVIEW

Gain complete access to the largest collection of worksheets in all subjects!

Members, please log in to download this worksheet.

Not a member? Please sign up to gain complete access.

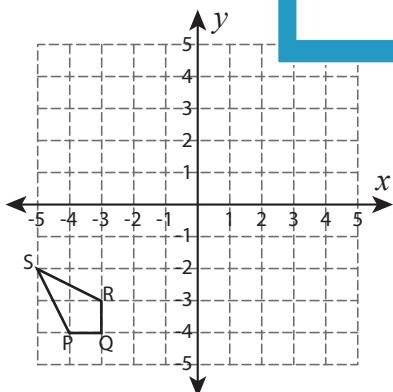
www.mathworksheets4kids.com



E': _____

F': _____

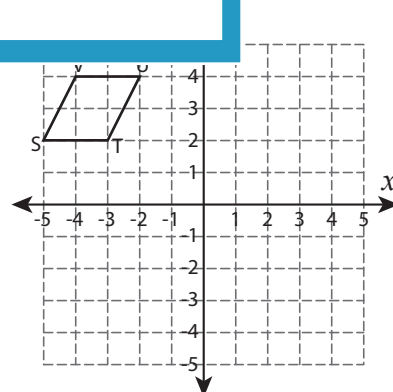
5) 8 units right and 6 units up



P': _____, Q': _____

R': _____, S': _____

7 units right



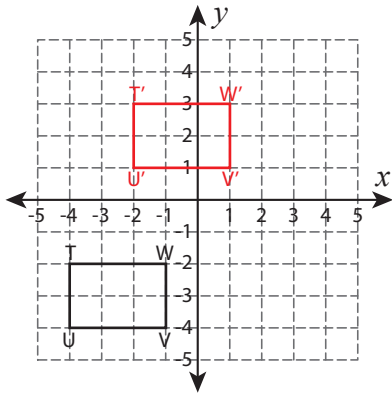
S': _____, T': _____

U': _____, V': _____

Write the New Coordinates

Graph the image of each figure after the given translation. Also write the coordinates of the image.

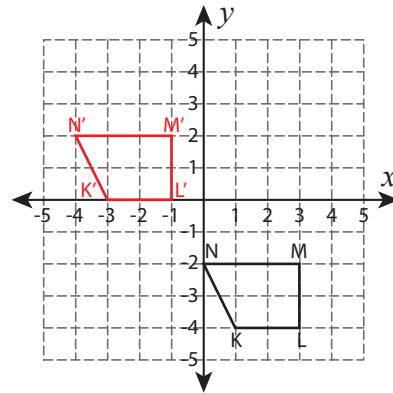
1) 5 units up and 2 units right



T': (-2, 3) , U': _____

V': (1, 1) , W': _____

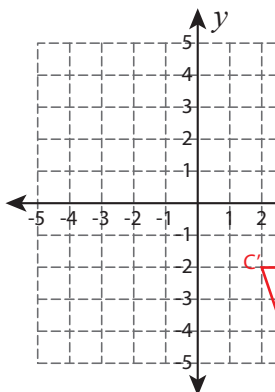
2) 4 units left and 4 units up



L': (-1, 0)

M': (-4, 2)

3) 7 units down and 1 unit right



A': (3, -5) , B': _____

C': (2, -2)

PREVIEW

Gain complete access to the largest collection of worksheets in all subjects!

Members, please log in to download this worksheet.

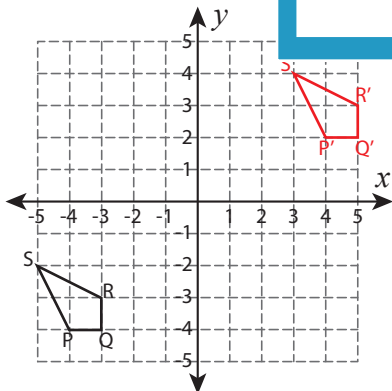
Not a member? Please sign up to gain complete access.

www.mathworksheets4kids.com

F': (4, -2)

G': (3, 0)

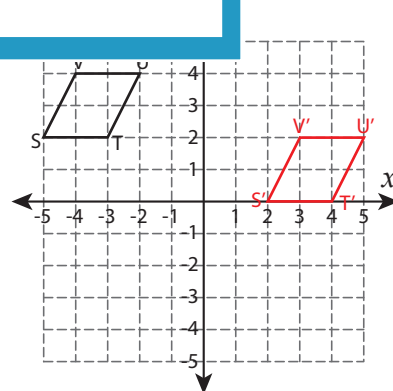
5) 8 units right and 6 units up



P': (4, 2) , Q': (5, 2)

R': (5, 3) , S': (3, 4)

7 units right



S': (2, 0) , T': (4, 0)

U': (5, 2) , V': (3, 2)