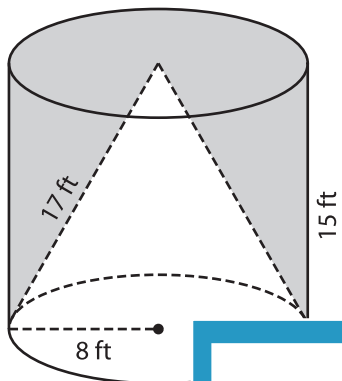


Surface Area of Composite Figures

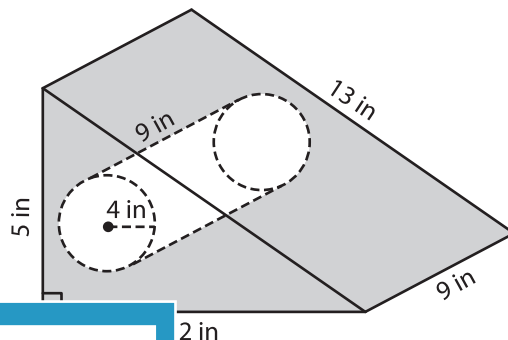
Find the surface area of each figure. (use $\pi = 3.14$)

1)



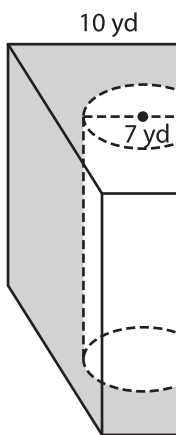
Surface Area = _____

2)



Surface Area = _____

3)



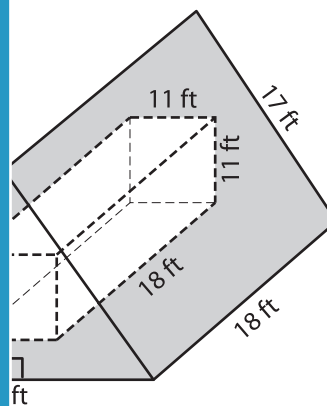
Surface Area = _____

PREVIEW
Gain complete access to the largest collection of worksheets in all subjects!

Members, please log in to download this worksheet.

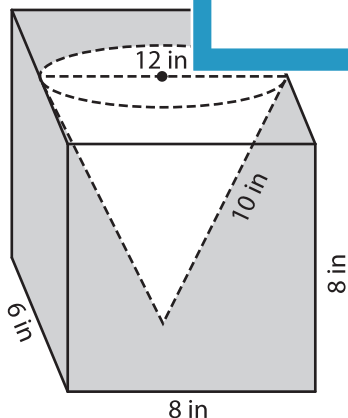
Not a member? Please sign up to gain complete access.

www.mathworksheets4kids.com

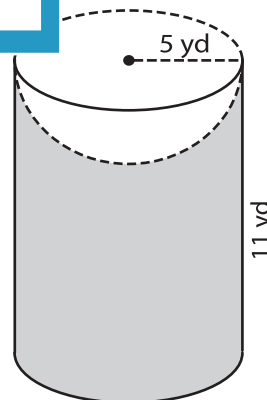


Surface Area = _____

5)



Surface Area = _____



Surface Area = _____