

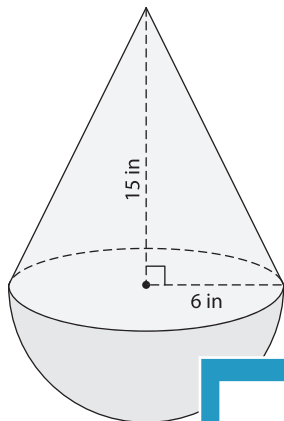
Name : _____

Volume - Composite Shapes

L1S1

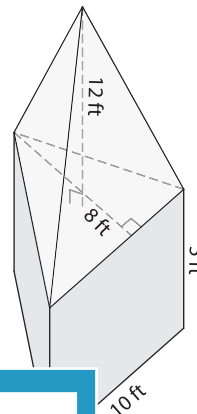
Find the volume of each solid shape. Round your answer to two decimal places.(use $\pi = 3.14$)

1)

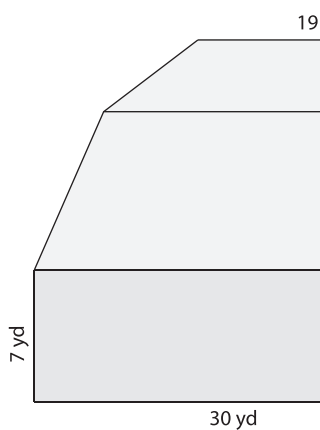


Volume = _____

2)



3)



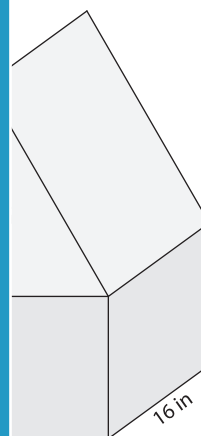
Volume = _____

PREVIEW
Gain complete access to the largest collection of worksheets in all subjects!

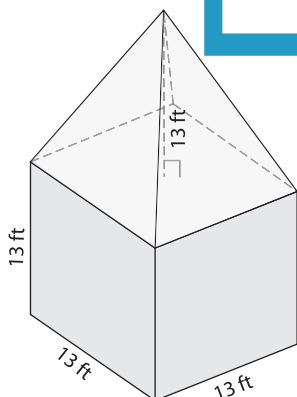
Members, please log in to download this worksheet.

Not a member? Please sign up to gain complete access.

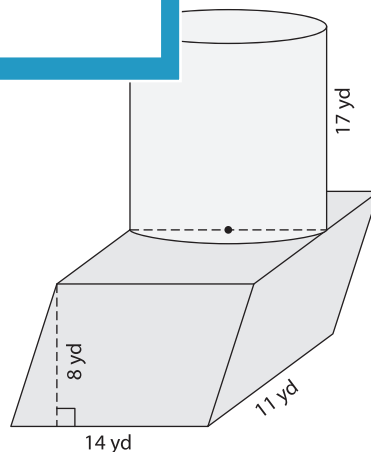
www.mathworksheets4kids.com



5)



Volume = _____



Volume = _____