

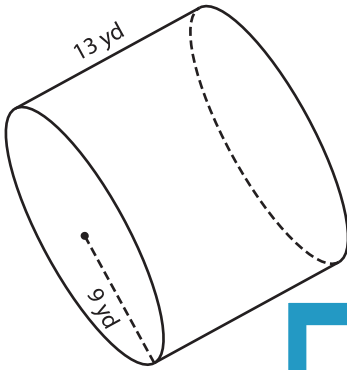
Name : _____

Volume - Cylinder

Integers: MS3

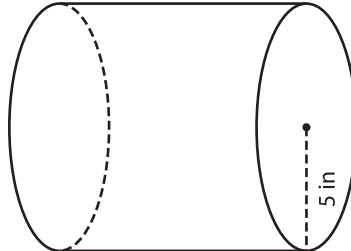
A) Find the volume of each cylinder. (use $\pi = 3.14$)

1)



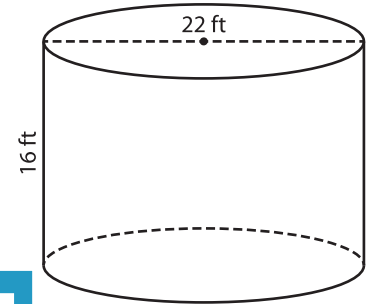
Volume = _____

2)



Volume = _____

3)



Volume = _____

B) Find the volume of each cylinder. (use $\pi = 3.14$)

4) radius = 7 yd ; height = 10 yd

Volume = _____

6) diameter = 26 ft ; height = 12 ft

Volume = _____

Gain complete access to the largest collection of worksheets in all subjects!

Members, please log in to download this worksheet.

Not a member? Please sign up to gain complete access.

www.mathworksheets4kids.com

5) radius = 10 in ; height = 8 in

7) diameter = 14 in ; height = 6 in

8) radius = 20 yd ; height = 15 yd

Volume = _____

8) There is a cylindrical pot with diameter 24 inches. What is the capacity of the pot, if its height is 14 inches? (use $\pi = 3.14$)
