

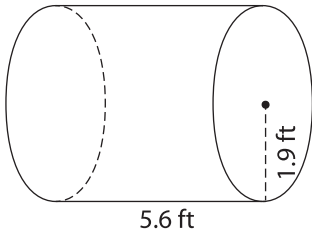
Name : _____

Decimals: L1S1

Volume - Mixed Shapes

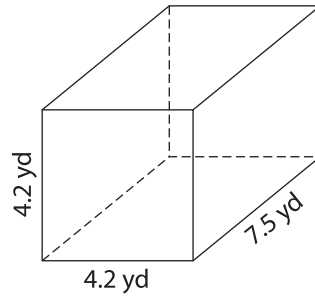
Find the volume of each shape. Round your answer to two decimal places. (use $\pi = 3.14$)

1)

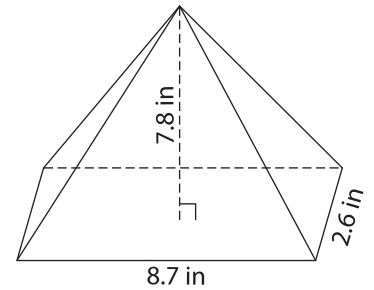


Volume = _____

2)

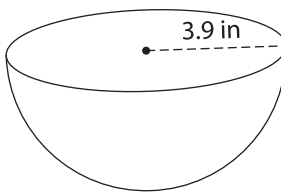


3)



Volume = _____

4)



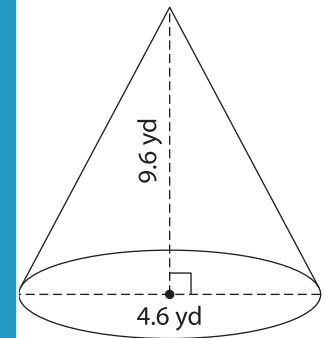
Volume = _____

Gain complete access to the largest collection of worksheets in all subjects!

Members, please log in to download this worksheet.

Not a member? Please sign up to gain complete access.

www.mathworksheets4kids.com



Volume = _____

7) The base of a prism is a triangle with a base of 10.5 cm and a height of 4.2 cm. Determine the volume of the prism, if its height is 12 cm.

Determine the volume of

8) The height of a cylinder is 8.2 inches and diameter is 9.8 inches. What is the volume of the cylinder? Round your answer to two decimal places. (use $\pi = 3.14$)