

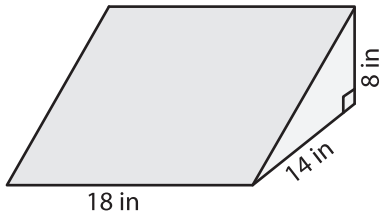
Name : \_\_\_\_\_

# Volume - Prisms and Cylinders

Integers: L1S3

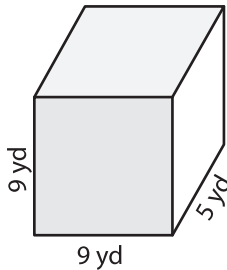
Find the volume of each shape. (use  $\pi = 3.14$ )

1)

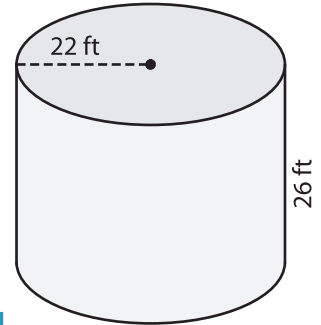


Volume = \_\_\_\_\_

2)

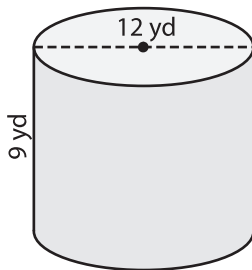


3)

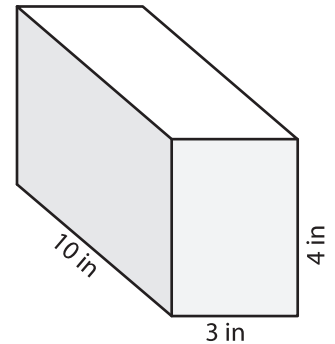


Volume = \_\_\_\_\_

4)



Volume = \_\_\_\_\_



Volume = \_\_\_\_\_

7) The height of a square prism is 24 feet.

length of the base square is \_\_\_\_\_

**PREVIEW**

Gain complete access to the largest collection of worksheets in all subjects!

Members, please log in to download this worksheet.

Not a member? Please sign up to gain complete access.

[www.mathworksheets4kids.com](http://www.mathworksheets4kids.com)

8) The length, width and height of a rectangular prism are 29 inches, 11 inches and 21 inches respectively. Determine the volume.