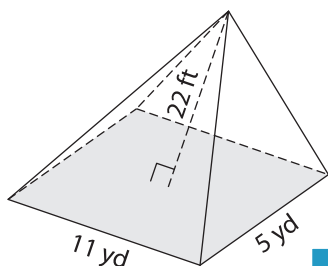


Name : _____

Volume - Rectangular Pyramid

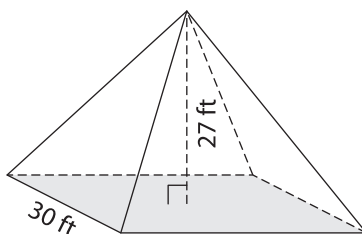
A) Find the volume of each rectangular pyramid. Round your answer to two decimal places.

1)



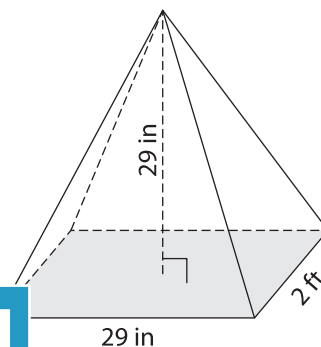
Volume = _____

2)



Volume = _____

3)



Volume = _____ in³

B) Find the volume of each rectangular pyramid. Round your answer to two decimal places.

4) height = 2 yd ; length = 20 yd ; width = 10 yd

Volume = _____

6) length = 14 in ; width = 10 in ; height = 12 in

Volume = _____ in³

PREVIEW

Gain complete access to the largest collection of worksheets in all subjects!

Members, please log in to download this worksheet.

Not a member? Please sign up to gain complete access.

www.mathworksheets4kids.com

Volume = _____ yd³

8) Determine the volume of the rectangular pyramid in cubic feet whose length, width and height are 29 inches, 2 feet and 13 feet respectively. Round your answer to two decimal places.
