

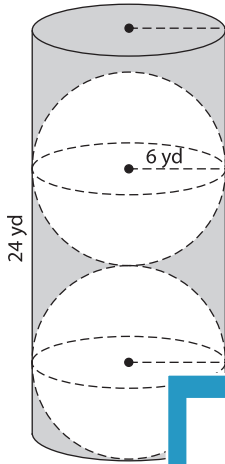
Name : _____

Volume - Composite Shapes

Sheet 1

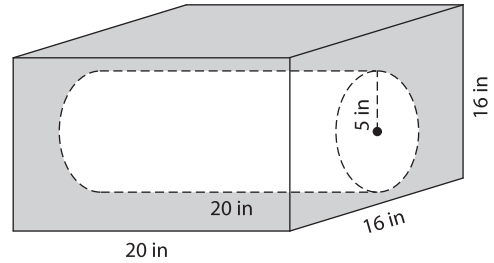
Find the volume of each shaded region. Round your answer to two decimal places.
(use $\pi = 3.14$)

1)

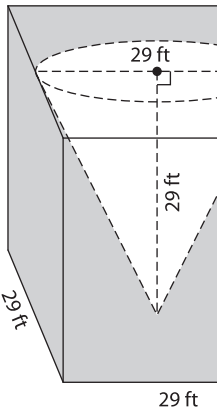


Volume = _____

2)

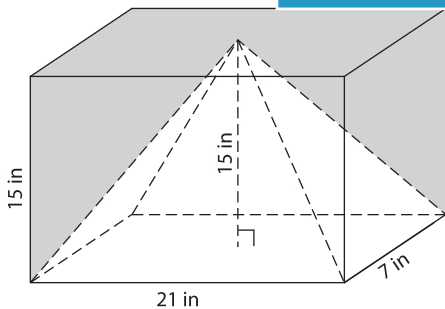


3)

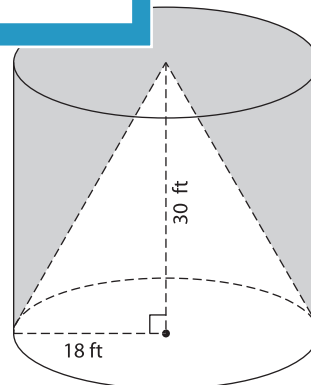


Volume = _____

5)



Volume = _____



Volume = _____

PREVIEW

Gain complete access to the largest
collection of worksheets in all subjects!

Members, please
log in to
download this
worksheet.

Not a member?
Please sign up to
gain complete
access.

www.mathworksheets4kids.com