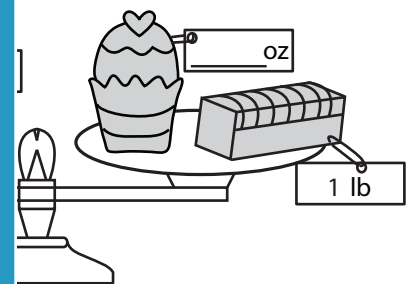
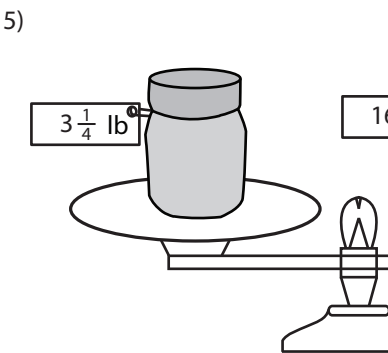
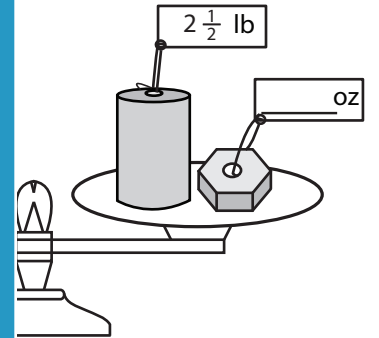
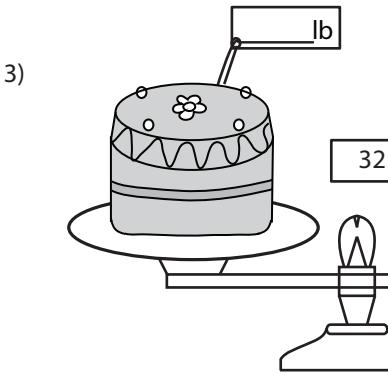
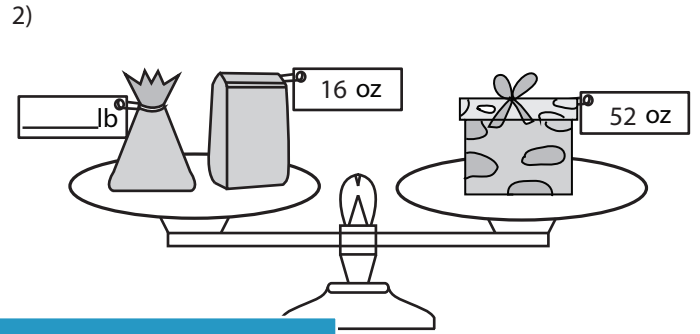
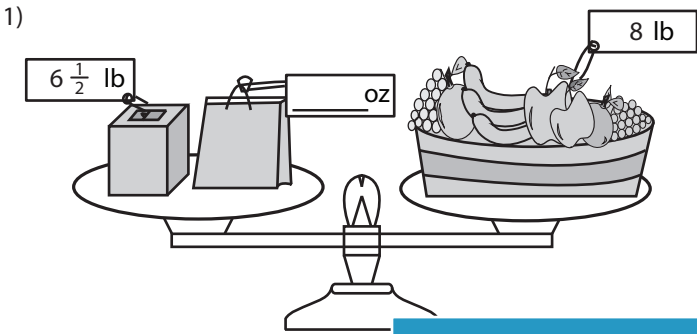


**Balancing Scale - Customary Units**

MS2

Calculate the unknown weight to balance each scale.



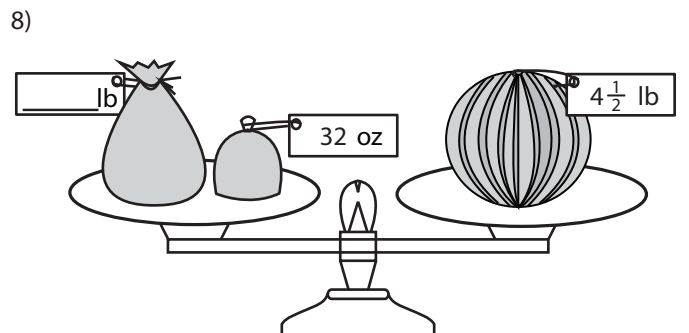
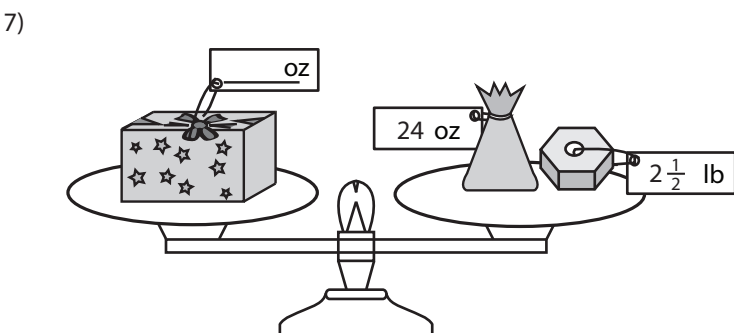
**PREVIEW**

Gain complete access to the largest collection of worksheets in all subjects!

Members, please log in to download this worksheet.

Not a member? Please sign up to gain complete access.

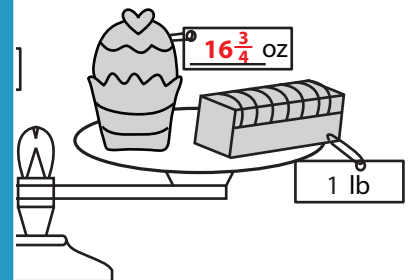
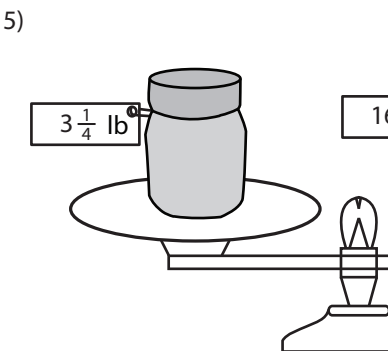
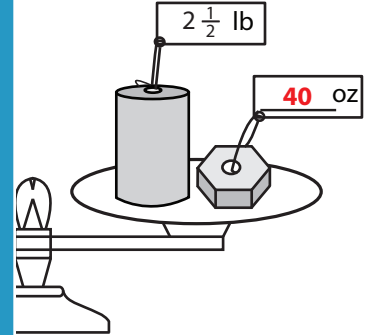
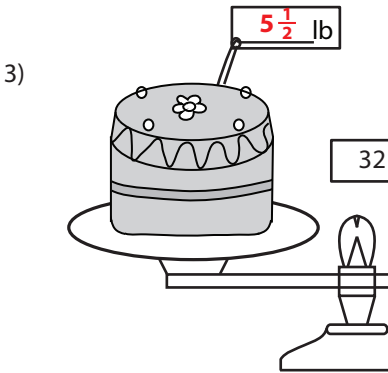
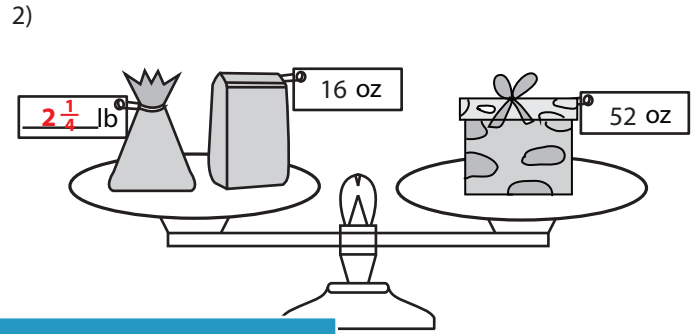
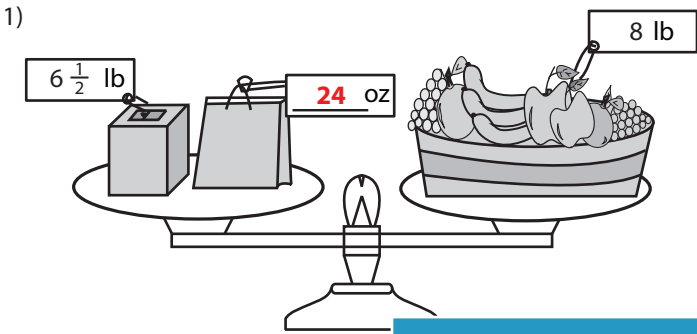
[www.mathworksheets4kids.com](http://www.mathworksheets4kids.com)



**Balancing Scale - Customary Units**

MS2

Calculate the unknown weight to balance each scale.



**PREVIEW**

Gain complete access to the largest collection of worksheets in all subjects!

Members, please log in to download this worksheet.

Not a member? Please sign up to gain complete access.

[www.mathworksheets4kids.com](http://www.mathworksheets4kids.com)

