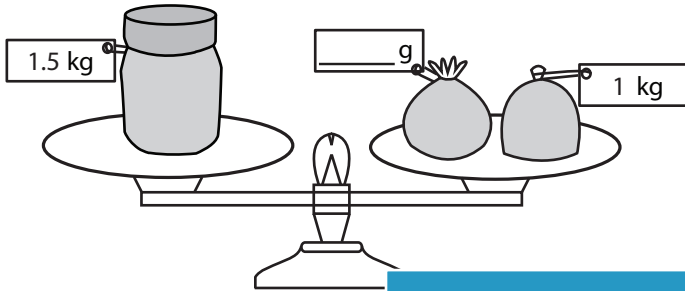


**Balancing Scale - Metric Units**

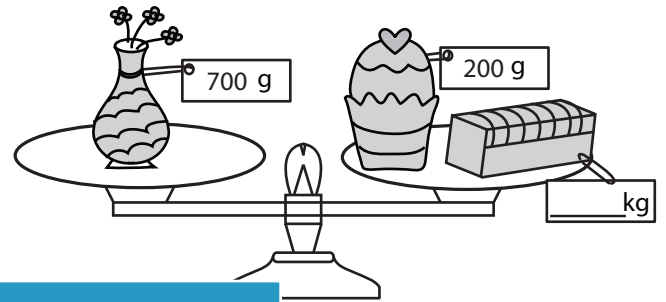
MS3

Calculate the unknown weight to balance each scale.

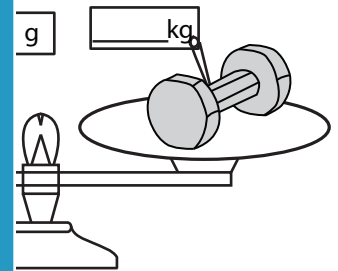
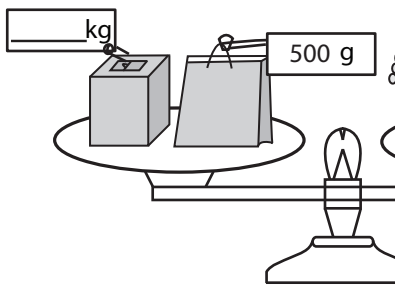
1)



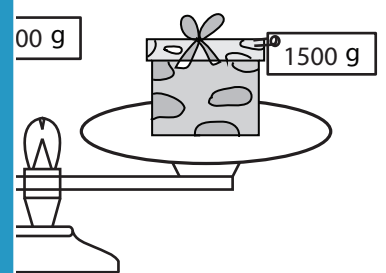
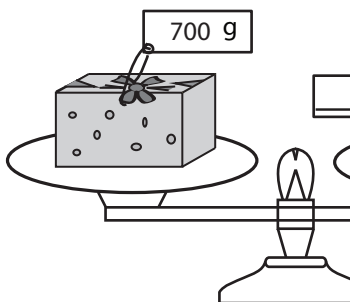
2)



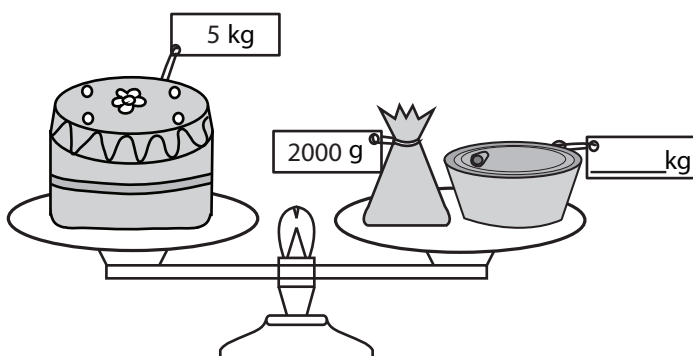
3)



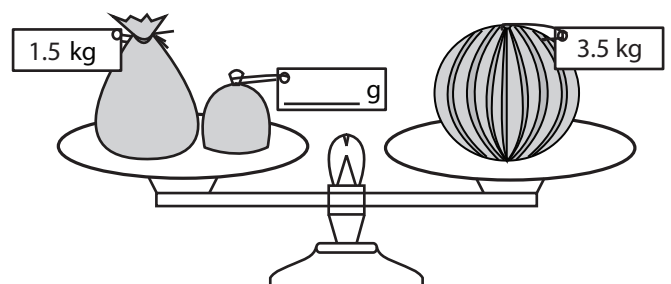
5)



7)



8)

**PREVIEW**

Gain complete access to the largest collection of worksheets in all subjects!

Members, please log in to download this worksheet.

Not a member? Please sign up to gain complete access.

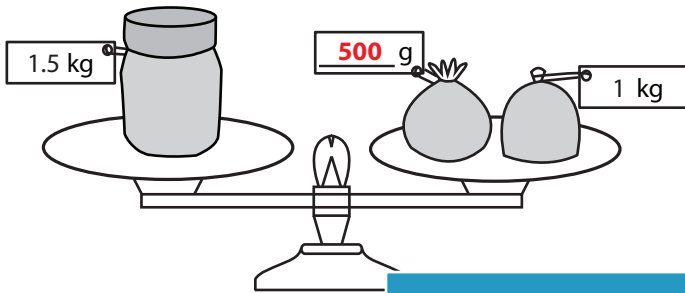
[www.mathworksheets4kids.com](http://www.mathworksheets4kids.com)

**Answer key****Balancing Scale - Metric Units**

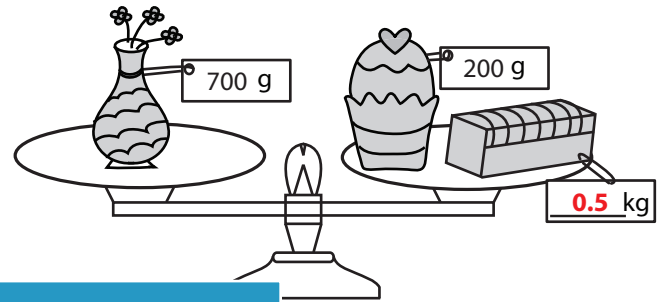
MS3

Calculate the unknown weight to balance each scale.

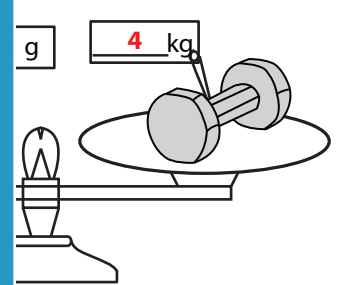
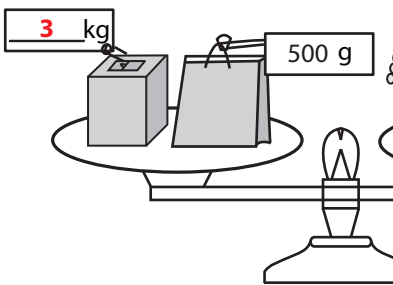
1)



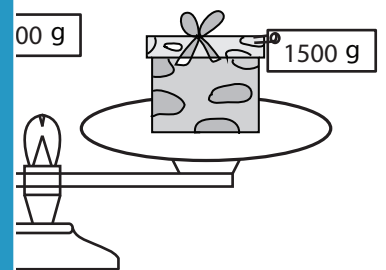
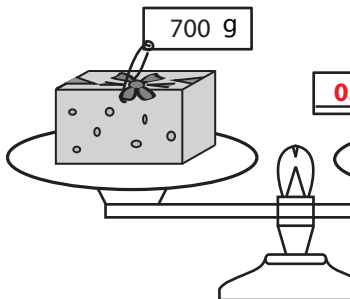
2)



3)



5)



# PREVIEW

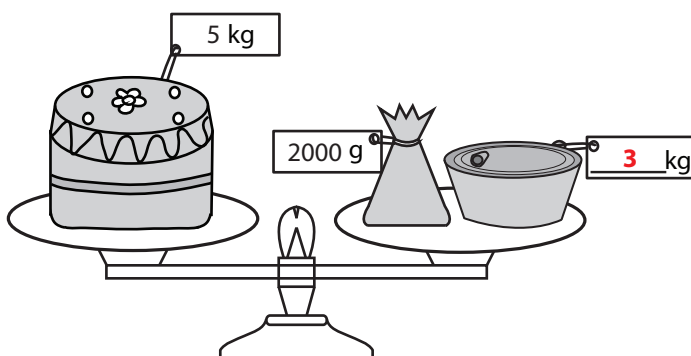
Gain complete access to the largest  
collection of worksheets in all subjects!

Members, please  
log in to  
download this  
worksheet.

Not a member?  
Please sign up to  
gain complete  
access.

[www.mathworksheets4kids.com](http://www.mathworksheets4kids.com)

7)



8)

