




Weight Estimation - Metric Units

Sheet 2

Choose the object close to the given weight.



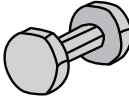
1) 1.5 kilograms

- 
- 
- 

2) 2 kilograms

- 
- 
- 

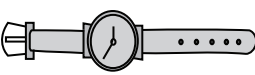

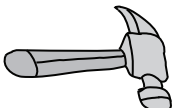
3) 2 grams

- 
- 
- 



5) 15 grams

- 
- 
- 

7) 1 kilogram

- 
- 
- 

8) 1 gram

- 
- 
- 

PREVIEW

Gain complete access to the largest
collection of worksheets in all subjects!

Members, please
log in to
download this
worksheet.

Not a member?
Please sign up to
gain complete
access.




www.mathworksheets4kids.com

Weight Estimation - Metric Units



Sheet 2

Choose the object close to the given weight.



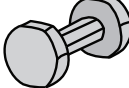
1) 1.5 kilograms

- 
- 
- 

2) 2 kilograms

- 
- 
- 

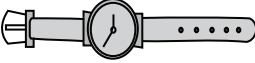

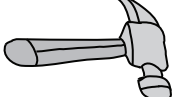
3) 2 grams

- 
- 
- 




5) 15 grams

- 
- 
- 

7) 1 kilogram

- 
- 
- 

8) 1 gram

- 
- 
- 

PREVIEW

Gain complete access to the largest
collection of worksheets in all subjects!

Members, please
log in to
download this
worksheet.

Not a member?
Please sign up to
gain complete
access.

www.mathworksheets4kids.com